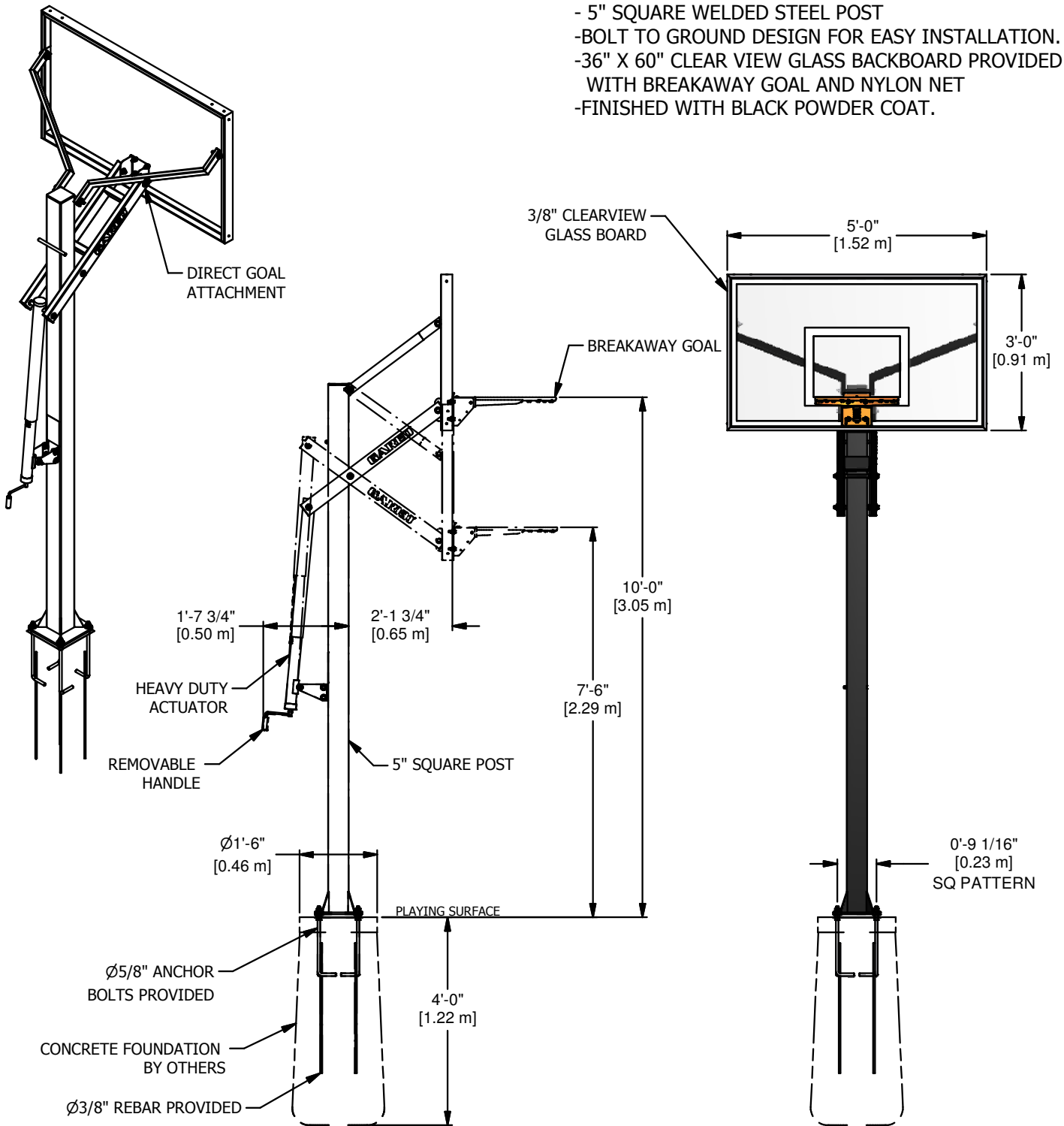


- HEIGHT ADJUSTABLE BETWEEN 7'-6" AND 10'-0".
- 5" SQUARE WELDED STEEL POST
- BOLT TO GROUND DESIGN FOR EASY INSTALLATION.
- 36" X 60" CLEAR VIEW GLASS BACKBOARD PROVIDED WITH BREAKAWAY GOAL AND NYLON NET
- FINISHED WITH BLACK POWDER COAT.



FINISHED WEIGHT 278 lbs [126 Kg]

A	WDC	05-17-14
REV	BY	DATE



**PSS**  
PERFORMANCE  
SPORTS SYSTEMS



**G**  
GARED™

Gared Holdings, LLC  
9200 E. 146th St. Noblesville, IN 46060

THIS DOCUMENT CONTAINS TRADE SECRET AND OTHER MATERIALS WHICH ARE PROTECTED BY CONFIDENTIALITY NOTICE AND AGREEMENT AND BY COPYRIGHT. ANY USE OR COPYING OF THIS DOCUMENT EXCEPT AS AUTHORIZED BY GARED HOLDINGS, LLC IS STRICTLY PROHIBITED.

**VARSITY JAM, ADJ. BASKETBALL SYS.**

DRAWN	CROSBY	DATE	2/14/2014	DATE ISSUED
APPROVED		DATE		

FILE LOC. Q:\Inventor Files\Specifications\06\_Outdoor Products\

SIZE	SCALE	SHT. NO.	PART NO.	REV
A	NONE	1 OF 2	GP7G60	A



## **MODEL GP7G60**

### **VARSITY JAM, ADJUSTABLE BASKETBALL SYSTEM**

#### **RECOMMENDED APPLICATION**

The Varsity Jam unit is designed for applications requiring a durable adjustable basketball system including outside use, such as churches, small parks, playground, or residential setting.

#### **SPECIFICATIONS:**

##### **POST / EXTENSION ARMS**

The GP7G60 basketball system shall have a 5" square welded steel post. The post shall be surface-mounted with a bolt-to-ground design to allow for easier installation and system transportability. A anchor template, 5/8" diameter anchor bolts and 3/8" diameter rebar shall be included. The unit shall have two extension arms which connect to the post with a large diameter pivot bolt. The lower lifting arm connects directly to the goal/board mount and the upper extension arms connect to the welded steel backboard frame. The extension arms shall be comprised of welded rectangular steel tubing and shall provide a 2'-1 3/4" distance from the backboard to the post at the 10' playing height. The extension arms shall be adjusted by a heavy duty actuator to enable the backboard and goal to be raised and lowered effortlessly at any height between 7'-6" and 10'-0". The actuator shall have a removable handle for security and a calibrated goal height indicator. The post and extension arms shall be powder coated black to prevent rust.

##### **BACKBOARD**

The backboard shall be a Gared model BB6036G38 Rectangular Glass Backboard. The backboard shall be comprised of 3/8" thick tempered glass permanently attached to a steel tubular frame with aluminum extrusions. Overall dimension of the backboard shall be 36" in height and 60" in width. Backboard shall be clear view design with no center struts. The lower lifting arm is mounted directly to the goal attaching plate and the upper arms shall attach to the outer edges of the steel frame. Backboard shall also have 4" vertical and 4" horizontal mounting holes for attaching rim.

##### **RIM**

The rim shall be a Gared model 725 Breakaway Rim. Rim shall have an official size 18" rim of 5/8" diameter steel with a continuous no-tie net attachment and full wing brace design. The rim shall have 4" vertical and 3-4" horizontal mounting holes for attaching to backboard. Rim shall have a durable orange powder coat finish and includes a nylon net.

##### **ACCESSORIES**

LSCE60 – 60" Recreational Pro-Mold Backboard Padding  
PP5WR – Wrap-Around Pole Pad for 5" Square Posts  
PP5SQF – Fitted Pole Pad for 5" Square Posts  
BP5SQ – Base Pole Pad for 5" Surface Mount Posts